



Model

WL1310

Size

15 1/8" x 12 3/8" x 7 1/8" OD
13 1/8" x 10 3/8" x 5 5/8" ID

Material

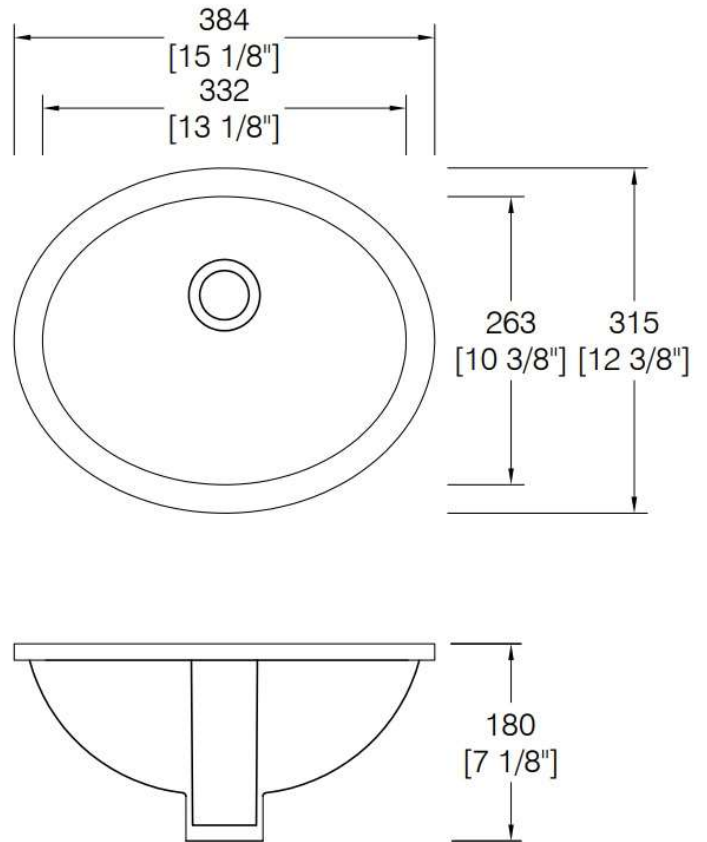
Vitreous China

Finish

White

Additional

Dimensions of fixtures are nominal and may vary within the range of tolerances established by ANSI Standard A112.19.2. These measurements are subject to change or cancellation. No responsibility is assumed for use of superseded or voided pages.



Contact

info@noblesinks.com

Noblesinks.com

