



Model

WL1512

Size

16 7/8" x 14 1/8" x 7 5/8" OD
15 1/8" x 12 1/4" x 5 5/8" ID

Material

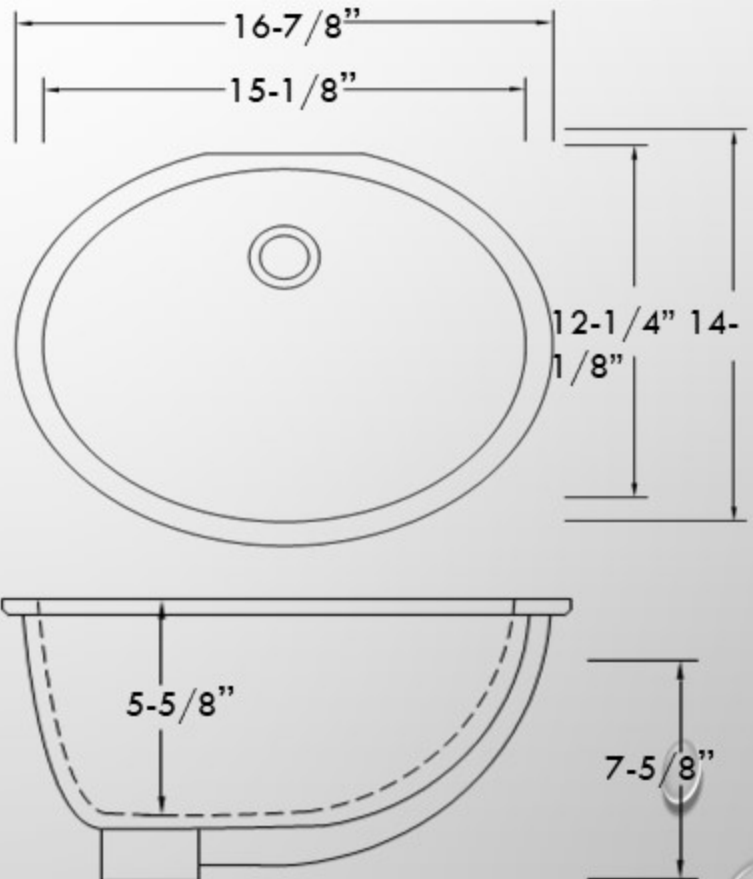
Vitreous China

Finish

White and Biscuit

Additional

Dimensions of fixtures are nominal and may vary within the range of tolerances established by ANSI Standard A112.19.2. These measurements are subject to change or cancellation. No responsibility is assumed for use of superseded or voided pages.



Contact

Daniel Ospina (407) 451-0529 Gary Sena (321) 315-9733
noble.nsc@gmail.com

Noblesinks.com

